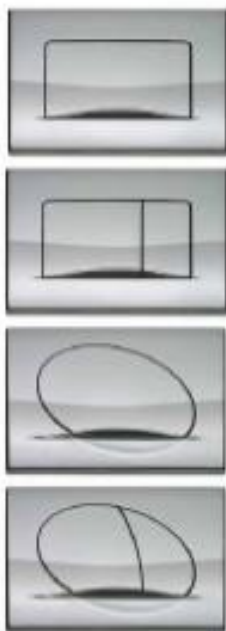


JOG

- plate APLITE and plate SELENITE
- built-in wall flush tank
- pre-wall metal frame with flush tank

JOG



Pushing plates

APLITE and SELENITE

Waters saving with push stop and dual flush

- 2 pushing plates push stop
- 2 pushing plates dual flush

Colours: white, chrome mat, chrome shine



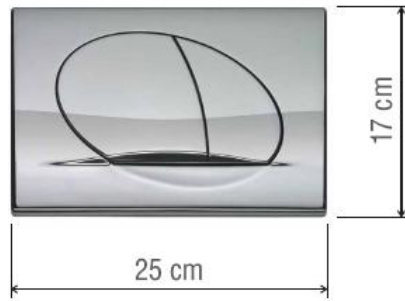
Functional details

- 3.1 Injected plastic body of the cistern in two parts (body + cover)
- 3.2 Easy installation of outlet knee (clip fixing of the outlet knee)
- 3.3 Fast and easy installation of extension screws for toilet bowl (precise regulation of the fixing rods position)



Functional details

- 3.4 Smaller pushing plate (UV protected) – two forms in 12 colour combinations
- 3.5 Fast and easy assembly of control plate carrier (plastic element)
- 3.6 Plastic protective part for maintenance opening (stays into the wall and entirely disables the admittance of external fragments and send into the water cistern trough the opening)



Functional details

- 3.7 Tool-free connecting flexible pipe – new connecting flexible pipe for easy assembling without tools
- 3.8 HDV – HydroDurableValve - fast and silent function, answer to impurity and hard water problems
- 3.9 Condense isolation: inside polystyrene insert



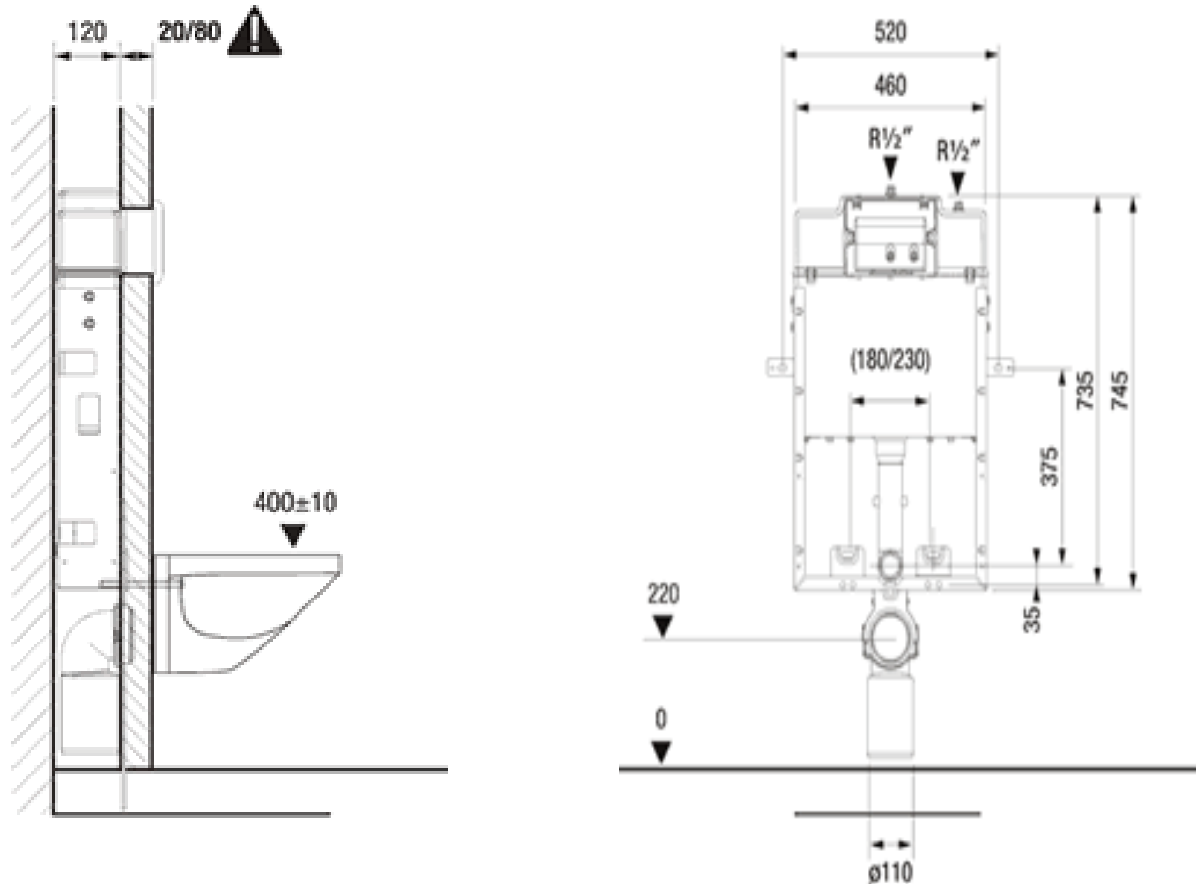
Functional details

- 3.10 Easy fastening of outlet valve DUO – prevents possible mistakes at future interventions into the water cistern
- 3.11 Pre-mounted corner valve – factory pre-mounted corner valve on the right side with the possibility of easy setting up on the middle of the water cistern



Instalation

Quality instructions and attention labels on exposed parts enable easy, qualitative and fast assembling of water cistern



Instalation

